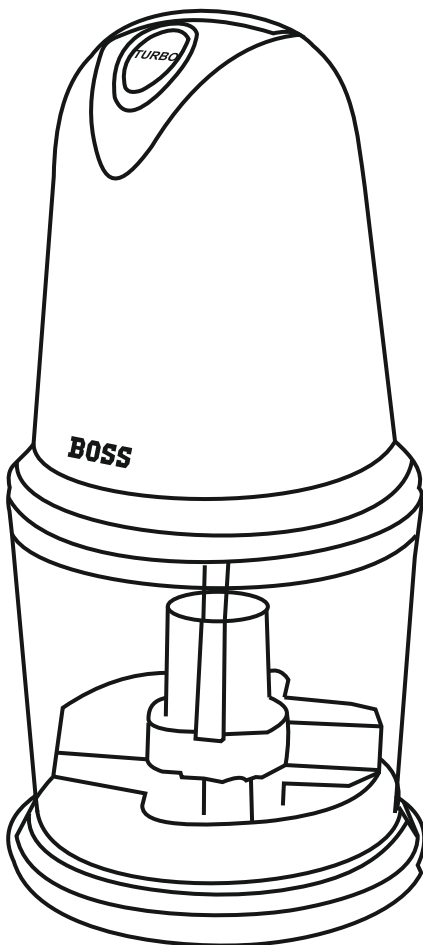


BOSS®

AXE
Chopper

B-705

260
WATT



2 YEARS
WARRANTY,
ON MOTOR

6 MONTHS
EXTENDED
WARRANTY
ON REGISTRATION



INSTRUCTION MANUAL

Please read all instructions carefully before using • T & C Apply*

Dear Customer,

Thank you for choosing BOSS AXE Chopper, of which you are now the proud owner.

The BOSS AXE Chopper is an excellent affordable solution to all of your chopping needs. Featuring Sharp and Durable Stainless Steel Blade and a unique String Design, this Manual Chopper Chops and cuts vegetables in a hassle-free manner with minimal effort. Made from High Quality Material for Long-Lasting Use: This chopper is made using sturdy and unbreakable ABS plastic, which makes it, highly durable for everyday use.

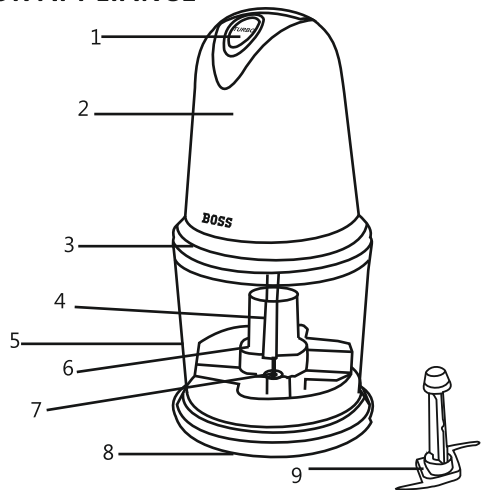
Please read and follow all the instructions given in this user manual carefully, prior to using your BOSS AXE Chopper, to get the best result and trouble free operation.

With Best Wishes,

BOSS APPLIANCES LLP

KNOW YOUR APPLIANCE

- 1 **Turbo Button**
- 2 **Motor Block**
- 3 **Lid**
- 4 **Blade Holder**
- 5 **Processing Bowl**
- 6 **Whipping Blade**
- 7 **Bearing Axle**
- 8 **Plastic Base**
- 9 **Chopping Blade**



TECHNICAL SPECIFICATIONS

Model No	B-705
Power Consumption	260W 230V AC 50 Hz
Maximum Capacity	Solid Food – 90-120 gm
Processing Bowl	Liquids' – 300 ml Max 500 ml
Protection Class	□ II

The specifications and design are subject to change without notice.

CONTINUOUS OPERATION TIME

The continuous operation time specifies how long the vertical chopper can be operated before the motor overheats and causes damage. The CO time for the vertical chopper is 1 minute. After 1 minute, the vertical chopper must remain out of use until the motor has cooled down.

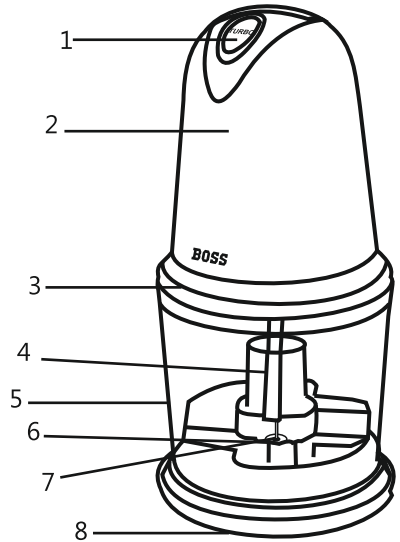
IMPORTANT

Please read the following instructions carefully before using the Chopper.

- Before using the appliance, ensure that the voltage of your wall outlet is corresponding to the rated voltage.
- Do not operate the appliance with a damaged cord or after malfunction or if it has been damaged in any manner.
- If the supply cord is damaged, the manufacturer or its service agent must replace it in order to avoid a hazard.
- Ensure that the cord is not hanging over edge of table or counter or touches any other hot surface.
- Do not immerse the main body, cord or plug in water or other liquids, as this would give rise to electric shock.
- This appliance is not intended for use by persons (including children) with reduced physical, sensory or mental capabilities, or lack of experience and knowledge, unless they have been given supervision or instruction concerning use of the appliances by a person responsible for their safety.
- Do not place the appliance on or near a hot gas or on a heated oven.
- Avoid contact with moving parts.
- Do not operate the appliance for other than its intended use.
- In case of technical problems, switch off the machine and do not try to repair it yourself, return the appliance to the nearest authorized service facility for examination, repair or electrical or mechanical adjustment. Failure to comply with above-mentioned conditions could affect the safety of the machine.
- Switch off the appliance before changing accessories or approaching parts, which move in use.
- Always disconnect the appliance from the supply if it is left unattended and before assembling, disassembling or cleaning, the mini chopper must remain out of use until the motor has cooled down.

HOW TO USE YOUR CHOPPER

- Position the Bowl (5) onto the plastic appliance base (8).
- Position the Blade Holder (4) on the Bearing Axle (7).
- Prepare the food to be chopped. Remove hard shells or skins, Cut large pieces into smaller ones so that they do not become stuck in the Bowl (5). The edge length should not exceed 2 to 3 cm.
- Place the prepared food in the Bowl (5).
- Press the Motor Block to start the Chopper. Each press should not be over 15 seconds. Release the Motor Block & motor will stop automatically. Repeat for finer consistency.



- Once you are satisfied with the results, remove the plug and wait until the Blade (6) has stopped rotating.
- Remove the Motor Block (2) and put this to one side.
- Remove the Lid (3) by rotating it anti-clockwise.
- Remove the Blade Holder (4)

Chopping Quantities and Tentative Processing times

Ingredients	Chopping Quantity	Tentative Time*
Herbs	50 g	10 X 1 Sec
Nuts and Almonds	120 g	30 sec
Dry bread cubes	120 g	30 sec
Parmesan Cheese	100 g	20 sec
Dark Chocolate	80 g	20 sec
Baby food	120 g	10-20 sec

* Operating time is depend on quality of Ingredients
1 Sec : 1 Pulse

CLEANING

- Always remove the plug from the power socket before cleaning.
- Clean the Motor Block (2) with a damp cloth or a well squeezed out sponge. Then dry the Motor Block (2) well.
- Take care when cleaning the Blade (6). It is extremely sharp.
- The remaining parts can be cleaned in a rinsing bath. After cleaning, rinse all the parts with plenty of clean water to remove any detergent residue. Dry all the parts well.
- Alternatively, you can wash all components in the dishwasher, except the Motor Block (2).
- Do not use any scratching or abrasive cleaning agents or abrasive objects (e.g. metal scourer) for cleaning purposes. Otherwise the Chopper may be damaged.

Caution:

- Never immerse the main body or power cord into water.
- Never fill the bowl with ingredients that are hotter than 80°C/176°F
- Never use any accessories or parts from other manufacturers or that Boss does not specifically recommend. If you use such accessories or parts, your warranty 4 becomes invalid.

TROUBLESHOOTING

If your vertical Chopper does not work accordingly, first of all use the following instructions to try and solve the problem. If working through the following tips does not eliminate the fault, please contact our Service Centre.

THE VERTICAL CHOPPER IS NOT WORKING

- The plug is not inserted. Insert the plug into the power socket.
- The power socket is faulty. Try the appliance in another power socket.

THE BLADE IS NOT ROTATING

- The blade is blocked as too much food is in the bowl. Reduce the amount of food.
- The blade is blocked, as the pieces of food in the bowl are too large. Only add food with a maximum edge length of 2 to 3 cm.