

BOSS®

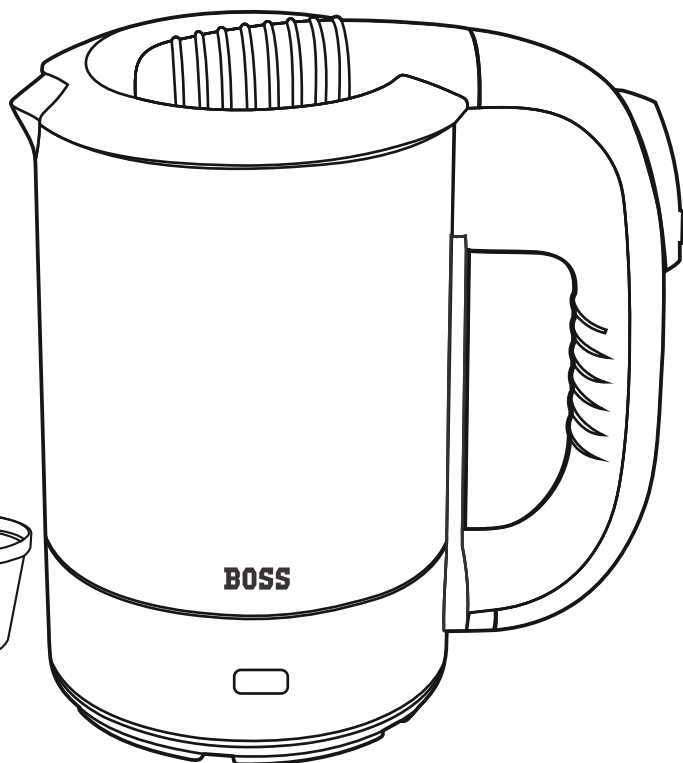
1000
WATT



One Up

Kettle

B-813



2 YEARS
WARRANTY
ON PRODUCT*

6 MONTHS
EXTENDED
WARRANTY
ON REGISTRATION



INSTRUCTION MANUAL

Please read all instructions carefully before using • T&C Apply*

Dear Customer,

Thank you for choosing BOSS One Up Kettle, of which you are now the proud owner.

BOSS brings to you an Electric Kettle which is perfect for your daily home needs. Prepare hot water, instant tea etc., in a matter of minutes with BOSS One Up Kettle. With smart features like Concealed Heating Element, Wide Mouth for easy serving, Automatic Shut off, Ergonomic Handle, Elegant Body etc., this glamorously designed electric kettle is a must have accessory for your modern kitchen. 1000W power makes the boiling more efficient. Large capacity which suits for a whole family, the water comes to a full boil within 5-6 minutes and will be ready to use for tea, coffee, pasta, hot chocolate, oatmeal, instant soup and so on. This kettle has illuminated power indicator which glows when power is on and shuts when power is off. This makes BOSS One Up Kettle a perfect boiling partner for your kitchen!

Please read and follow all the instructions given in this user manual carefully, prior to using your BOSS One Up Kettle, to get the best result and trouble free operation.

With Best Wishes,

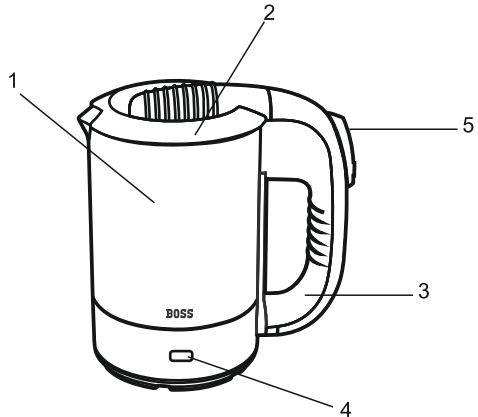
BOSS Appliances LLP

IMPORTANT

Please read the following instructions carefully before using the Kettle.

KNOW YOUR APPLIANCE

1. S. S. Body with Element
2. Body Lid/ Cap
3. Handle
4. Power Indicator
5. On/Off Switch



- Remove all packing materials from the outside and inside of kettle.
- Make sure the rated voltage printed on the rating label on the kettle is in conformity with local voltage before using.
- If an extension lead is required it must be earthed.
- Boil the water in kettle twice to clean the inside before use and pour out the boiled water.

HOW TO USE

1. Open the lid, pour in water, close the lid firmly.
Caution: Do not fill the kettle with water above the maximum water level mark. If you do, hot water will overflow. Do not fill the kettle with water below the minimum water level mark. If you do, the kettle will not operate normally.
2. Plug in, switch on the kettle. If the indicator lights up, the kettle is working. If the indicator does no light up, please push the switch button to power on and the kettle will begin to work with the indicator lighting up. After the water is boiled for a certain period of time. the power supply will be automatically cut off and the indicator will go off.
3. If you want to cut off power before the water is boiled, switch off the kettle or unplug the power cord.

PRECAUTION

1. Keep the child away from the kettle when it is boiling.
2. Never use the kettle without the lid on.
3. This appliance should not be left unattended during use.
4. Do not touch the exterior as it gets hot or allow your hand to come in contact with hot steam from the spout or lid, particularly when refilling.
5. To avoid the kettle overheating and lamp flashing, do not connect the power and press the switch button when the water is not pouring into the kettle.
6. The unit is for boiling water only. Do not use it to heat other liquids or avoid damage.
7. If the electrical source wire is broken, it must be replaced by manufacture or authorised service centre in order to keep safe.
8. Never operate the appliance empty.
9. This appliances is not intended for, use by persons (including children) with reduced physical, sensory or mental capabilities or lack of experience and knowledge, unless they have been given supervision or instruction concerning use of the appliance by a person responsible for their safety.
10. Children should be supervised to ensure that they do not play with the appliance.
11. Never immerse this appliance in water or other liquids. Use a damp cloth to clean the surface of appliance. Do not use aggressive or scourers.
12. This appliance intended to be used in household and similar applications such as staff kitchen areas in shops, offices and other working environments farm houses by clients in hotels, motels and other residential type environments bed and breakfast type environments.

CLEAN AND MAINTENANCE

1. Always disconnect the power and leave to cool before cleaning.
2. Clean the outside with a damp cloth. Do not use scouring power, nonscratch cream cleanser or any other cleaning products as they may discolor your kettle.
3. Please regularly clean out incrustation to ensure the normal working of the kettle. Do not scratch with metal material. Wash with diluted lemon extract.
4. Never immerse the kettle, cord and plug in water.
5. Store in cool & dry place.