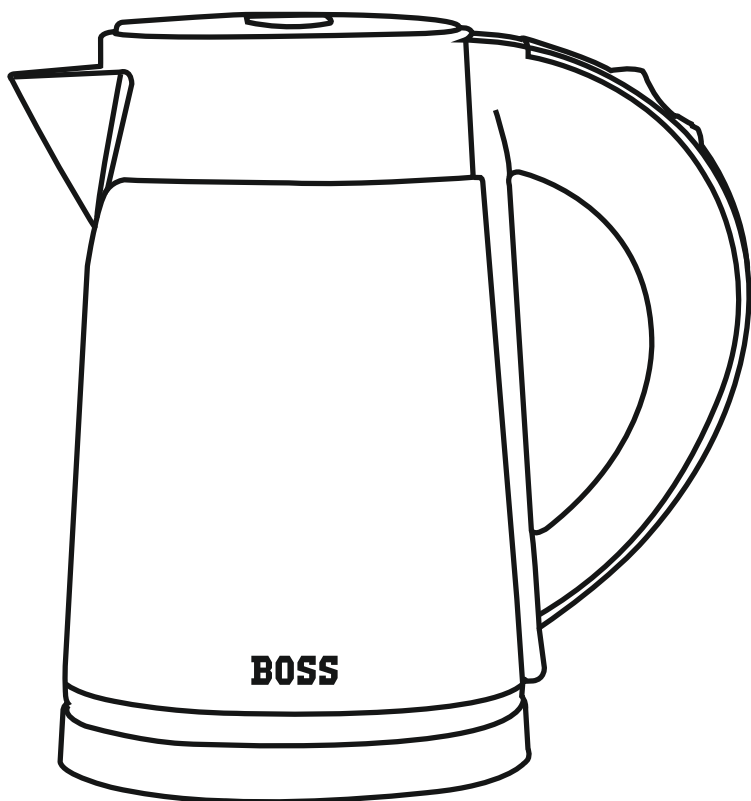


BOSS®

FLARE KETTLE

B-822

**1000
WATT**



2 YEARS
WARRANTY
ON PRODUCT

6 MONTHS
EXTENDED
WARRANTY
ON REGISTRATION

INSTRUCTION MANUAL

Dear Customer,

Thank you for choosing BOSS Flare Kettle, of which you are now the proud owner.

BOSS brings to you an Electric Kettle which is perfect for your daily home needs. Prepare hot water, instant tea etc., in a matter of minutes with BOSS Flare Kettle. With smart features like Concealed Heating Element, Wide Mouth for easy serving, Automatic Shut off, Ergonomic Handle, Elegant Body etc., this glamorously designed electric kettle is a must have accessory for your modern kitchen. 1000W power makes the boiling more efficient. Large capacity which suits for a whole family, the water comes to a full boil within 5-6 minutes and will be ready to use for tea, coffee, pasta, hot chocolate, oatmeal, instant soup and so on. This kettle has illuminated power indicator which glows when power is on and shuts when power is off. This makes BOSS Flare Kettle a perfect boiling partner for your kitchen!

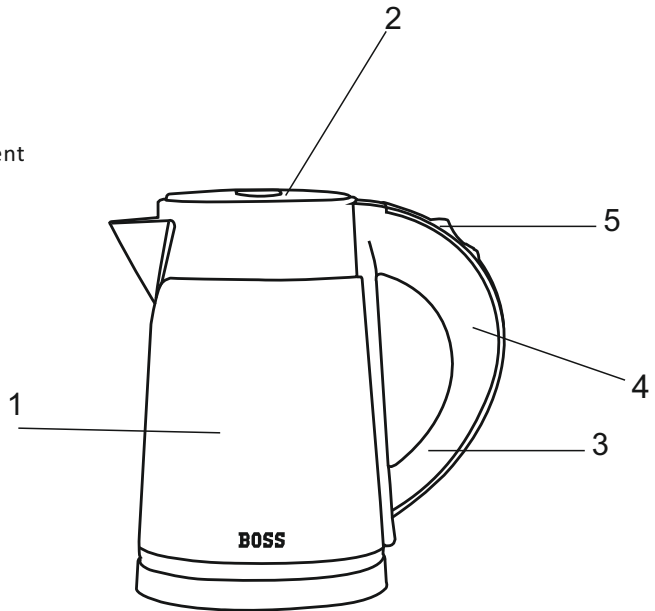
Please read and follow all the instructions given in this user manual carefully, prior to using your BOSS Flare Kettle, to get the best result and trouble free operation.

With Best Wishes,

BOSS®

KNOW YOUR APPLIANCE

1. S. S. Body with Element
2. Body Lid/ Cap
3. Handle
4. Power Indicator
5. On/Off Switch



How to Use Your BOSS Flare Kettle

1. Open the lid, pour in water, close the lid firmly.
Caution: Do not fill the kettle with water above the maximum water level mark. If you do, hot water will overflow. Do not fill the kettle with water below the minimum water level mark. If you do, the kettle will not operate normally.
2. Plug in, switch on the kettle. If the indicator lights up, the kettle is working. If the indicator does not light up, please push the switch button to power on and the kettle will begin to work with the indicator lighting up. After the water is boiled for a certain period of time, the power supply will be automatically cut off and the indicator will go off.
3. If you want to cut off power before the water is boiled, switch off the kettle or unplug the power cord.

Important

Please read the following instructions carefully before using the BOSS Flare Kettle.

- Remove all packing materials from the outside and inside of kettle.
- Keep the child away from the kettle when it is boiling.
- Never use the kettle without the lid on.
- This appliance should not be left unattended during use.
- Make sure the rated voltage printed on the rating label on the kettle is in conformity with local voltage before using.
- If an extension lead is required it must be earthed.
- Boil the water in kettle twice to clean the inside before use and pour out the boiled water.
- Do not touch the exterior as it gets hot or allow your hand to come in contact with hot steam from the spout or lid, particularly when refilling.
- To avoid the kettle overheating and lamp flashing, do not connect the power and press the switch button when the water is not pouring into the kettle.
- The unit is for boiling water only. Do not use it to heat other liquids or avoid damage.
- If the electrical source wire is broken, it must be replaced by manufacture or authorised service centre in order to keep safe.
- Never operate the appliance empty.
- This appliances is not intended for, use by persons (including children) with reduced physical, sensory or mental capabilities or lack of experience and knowledge, unless they have been given supervision or instruction concerning use of the appliance by a person responsible for their safety.
- Children should be supervised to ensure that they do not play with the appliance.
- Never immerse this appliance in water or other liquids. Use a damp cloth to clean the surface of appliance. Do not use aggressive or scourers.
- This appliance intended to be used in household and similar applications such as staff kitchen areas in shops, offices and other working environments farm houses by clients in hotels, motels and other residential type environments bed and breakfast type environments.

Care And Maintenance :

1. Always disconnect the power and leave to cool before cleaning.
2. Clean the outside with a damp cloth. Do not use scouring power, nonscratch cream cleanser or any other cleaning products as they may discolor your kettle.
3. Please regularly clean out incrustation to ensure the normal working of the kettle. Do not scratch with metal material. Wash with diluted lemon extract.
4. Never immerse the kettle, cord and plug in water.
5. Store in cool & dry place.

AUTHORISED SERVICE CENTRE

For Gujarat, Maharashtra & West Bengal : 9167681234

Other Cities

Ajmer	0145-2421785/2423650 9982347880	Hyderabad	040-35841992 / 9347020195
Banglore	080 41249187 / 41138318	Indore	0731-2534689 / 4969975
Belgaum	9986224792	Jaipur	0141-2622483
Bhilwara	01482-224586 / 9414112586	Jodhpur	0291-2435266 / 9414129574
Bhopal	0755 - 4282097	Kota	0744 - 2390532 / 9460056594
Delhi	011-23847057 / 9811206109	Raipur	0771-2533284 / 9425510814
Gulbarga	9741734070 / 9480162059	Rudrapur	9837049123
Hubli	0836-2284897 / 9845277503	Sambalpur	0663-2400042 / 9338025787
		Udaipur	0294-2422075

To Register Your Complaint, Simply Send Hi on Whatsapp



9309133642

