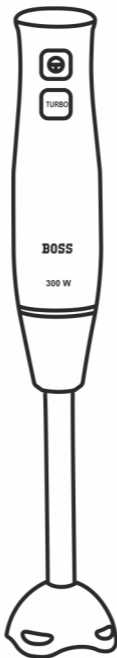


BOSS®

HAND BLENDER INSTRUCTION MANUAL

Sparkle[★]
Portable Blender

B-141



300
WATT

2 YEARS
WARRANTY
ON MOTOR

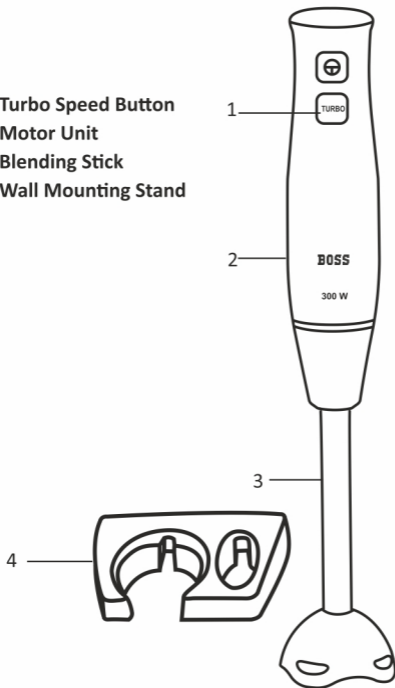
6 MONTHS
EXTENDED
WARRANTY
ON REGISTRATION



Please read all instructions carefully before using • *T & C Apply

KNOW YOUR APPLIANCE

- 1 Turbo Speed Button
- 2 Motor Unit
- 3 Blending Stick
- 4 Wall Mounting Stand



The specifications and design are subject to change without notice*

IMPORTANT SAFE GUARDS


Read all instructions before first use.

1. Do not use the blender for more than 1 minute continuously after that switch off the blender and allow the motor to cool down.
2. To avoid risk of electrical shock, do not put motor end in water or other liquid.
3. The appliances should not be used by children and care should be taken when used near children.
4. Avoid contacting moving parts.
5. Hard food such as raw vegetables (carrots etc.) should be cut into small pieces before crushing.
6. Use a tall container or make small quantities to avoid spillage.
7. Ensure level of contents between 100ml & 400ml when the jar is used.
8. Keep the appliance away from children.
9. Press switch completely to avoid sparking and damage to switch.
10. Clean the appliance after every use unplug the cord and rinse the guard and blade under running water.
11. Do not touch the blades, especially when the appliance is plugged in, as the blade is very sharp.
12. Do not let cord hang over the edge of the table or counter.
13. Do not operate appliances with damaged cord, or in case of malfunction, contact your nearest dealer or authorised company service centre.

CARE & MAINTENANCE OF THE HAND BLENDER

1. Unplug unit and store in a clean, dry place. Never wrap wire tightly around the appliance. Do not put any stress on the wire where it enters the unit as it could cause the wire to fray and break.
2. Do not use the blender continuously for more than 1 minute.
3. Clean the appliance after every use. Unplug the wire and rinse the guard and blade under running water. Ensure water doesn't enter the motor part while cleaning the blade.
4. To keep the blender clean from oily or small particle matter, immerse the blender rod in jar/bowl of soap water and turn it on at Slow Speed.
5. Clean the measuring jar, in the dishwasher or in warm water with some washing-up liquid.

TECHNICAL SPECIFICATIONS

RATED INPUT POWER 100 WATTS UP TO AND INCLUDING 450 WATTS, RATED VOLTAGE 230V~, 50Hz CLASS OF APPLIANCE: , INSULATION CLASS F, DEGREE OF PROTECTION IPX0

AUTHORISED SERVICE CENTRE

For Gujarat, Maharashtra, West Bengal &
Chhattisgarh : 9167681234

Other Cities

Ajmer	0145-2421785/2423650/9982347880
Banglore	080 41249187 / 41138318
Belgaum	9986224792
Bhilwara	01482-224586 / 9414112586
Bhopal	0755 - 4282097
Delhi	011-23847057 / 9811206109
Gulbarga	9741734070 / 9480162059
Hubli	0836-2284897 / 9845277503
Goa	9167681234
Hyderabad	9167681234
Indore	0731-2534689 / 4969975
Jaipur	9167681234
Jodhpur	0291-2435266 / 9414129574
Kota	0744 - 2390532 / 9460056594
Raipur	0771-2533284 / 9425510814
Rudrapur	9837049123
Sambalpur	0663-2400042 / 9338025787
Udaipur	0294-2422075

To Register Your Complaint, Simply Send Hi on Whatsapp



9309133642

