

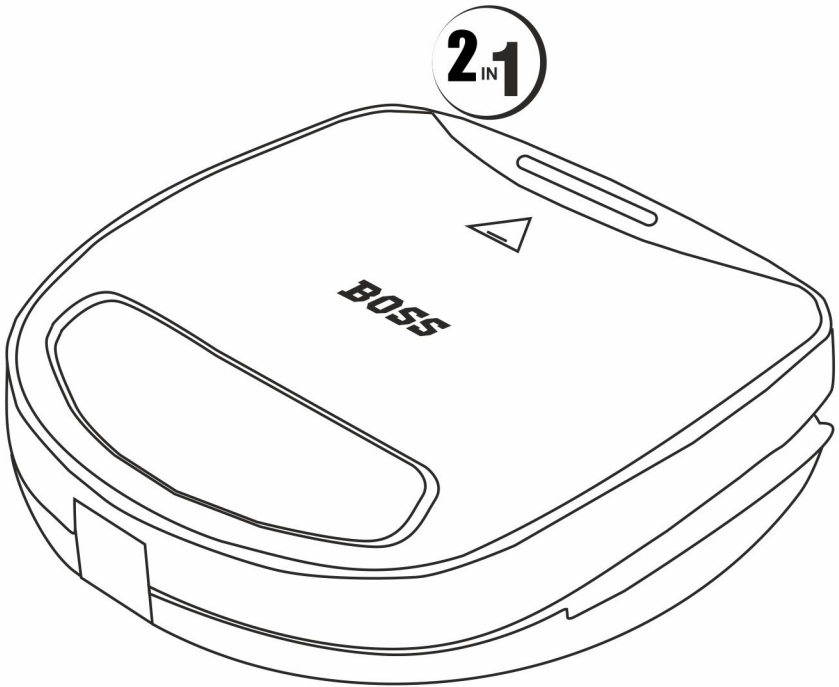
BOSS®

Elite

2 in 1 Sandwich Maker

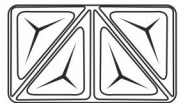
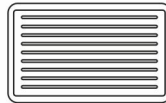
B-550

850
WATT



2 YEARS
WARRANTY
ON PRODUCT

6 MONTHS
EXTENDED
WARRANTY
ON REGISTRATION



INSTRUCTION MANUAL

Please read all instructions carefully before using • T & C Apply*

Dear Customer,

Thank you for choosing BOSS Elite 2 in 1 Sandwich Maker, of which you are now the proud owner.

Delicious Grilled & toasted snacks are now simple to make with BOSS Elite 2 in 1 Sandwich Maker. Prepare healthy and tasty sandwiches in the convenience of your kitchen. The non-stick coated plates need less oil while toasting making the sandwich healthy and are easier to clean too. Get perfectly Grilled & Toasted sandwiches that are crispy on the outside and soft on the inside with this 2 in 1 Sandwich Maker.

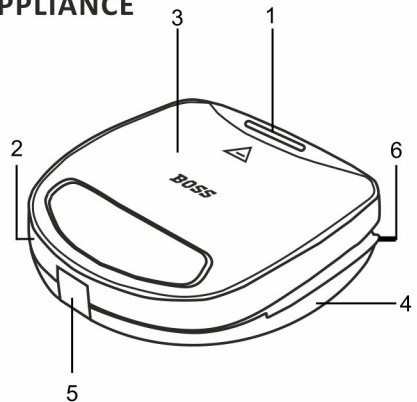
Please read and follow all the instructions given in this user manual carefully, prior to using your BOSS Elite 2 in 1 Sandwich Maker, to get the best result and trouble free operation.

With Best Wishes,

BOSS®

KNOW YOUR APPLIANCE

- 1 Power Indicator
- 2 Upper Housing
- 3 Steel Deco Plate
- 4 Lower Housing
- 5 Locking Lid
- 6 Non-Stick Plate



TECHNICAL SPECIFICATIONS

Contact Grill

Rated Voltage : 230V~50Hz, Power Input : 850W

IPX0, CLASS I, Single Phase

Pollution Degree 1

Model No : B-550

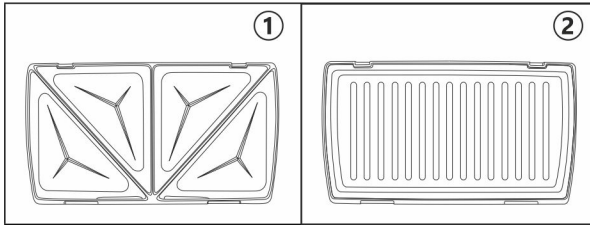
Elite 2 in 1 Sandwich Maker

IMPORTANT

Please read the following instructions carefully before using the 2 in 1 Sandwich Maker.

1. Do not touch hot surfaces. Use handles or knobs.
2. Make sure that your mains voltage corresponds to the voltage stated on the specification sticker of the 2 in 1 Sandwich Maker.
3. To protect against electrical shock, do not immerse cord, plugs, or appliance in water or other liquid.
4. Unplug from outlet when not in use and before cleaning. Allow cooling before putting it on or taking off parts.
5. Do not operate any appliance with a damaged cord or plug or after the appliance malfunctions or has been damaged in any manner. Return appliance to the nearest authorized service facility or call our customer service number for information on examination, repair, or adjustment.
6. The use of accessory attachments not recommended by the appliance manufacturer may cause injuries.
7. For Household use only. Do not use outdoors. Do not let cord hang over edge of table or counter, or touch hot surfaces.
8. To disconnect, remove plug from the wall outlet. Always hold the plug. Never pull the cord.
9. Do not place on or near a hot gas, electric burner, in a heated oven other inflammable materials (such as benzene, paint thinner, sprays, etc.)
10. Oversize foods, metal foil packages or utensils must not be inserted in the 2 in 1 Sandwich Maker as they may cause fire or electric shock.
11. Do not attempt to dislodge the bread slice when 2 in 1 Sandwich Maker is in operation.
12. Always preheat the unit before using for better result.
13. Do not leave the appliance unattended when switched on.
14. This appliance is not intended for use by persons (including children) with reduced physical, sensory or mental capabilities, or lack of experience and knowledge, unless they have been given supervision or instruction concerning use of the appliance by a person responsible for their safety. Children should be supervised to ensure that they do not play with the appliance.

2 in 1 SANDWICH MAKER WITH REMOVABLE PLATES



- ① Removable Plates For Toasting Sandwiches
- ② Removable Grilling Plates

BEFORE FIRST USE

- 1) Remove the 2 in 1 Sandwich Maker from the packing material.
- 2) Wipe the removable plates with a wet cloth or sponge and dry completely with a paper towel or dry cloth.
- 3) We recommend you allow the 2 in 1 sandwich maker to run empty for 5–7 minutes before first use for each pair of baking plates, so that any odours present are removed from the plates.

Note: When first turned on, there may be light smoke emitted. This is due to the heating of internal components and it will pass in a moment.

REPLACING PLATES

- 1) Before replacing the plates disconnect the 2 in 1 sandwich maker from the electric power supply and allow it to cool down.
- 2) REMOVING THE PLATES: Move locks towards the handle to release the bottom plate and then remove it. In the same way release and remove the top plate.
- 3) INSERTING THE PLATES: Slide the bottom edge of the baking plate under the left and right hinge and fold the plate down and push in towards the casing of the 2 in 1 sandwich maker until you hear an audible click.

Now the plate is secured in the correct position by locks. In the same way attach the top plate.

Always use plate of the same type.

How to Use Your BOSS 2 in 1 Sandwich Maker

1. Plug the power cord into the mains socket. The red lamp will be ON.
2. Season the plates with butter or margarine if desired.
3. Before inserting the bread slice in to the 2 in 1 Sandwich Maker, please preheat the appliance until the green (ready) light is on. When the green light is on this means that the temperature has reached the pre-determined set temperature level. Usually it takes a few minutes.
4. Take two bread slices and add the desired filling between the slices. Always add the filling to ensure optimum toasting.
5. The bread slices must be coated with butter on the sides which will be in contact with the inner lower plate and the upper plate of the toaster.
6. After pre-heat, open the 2 in 1 Sandwich Maker and place the bread slices with the filling between the inner lower plate and the upper plate of the toaster so that the buttered sides are in contact with these plates.
7. Close the 2 in 1 Sandwich Maker slowly by pressing gently and make sure that it is closed properly and clipped. When grilling thick food, do not lock the unit
8. Toast for about 3 to 6 minutes or until golden brown, adjusting the time to suit your own individual taste
9. Open the 2 in 1 Sandwich Maker and remove the sandwich using a wooden spatula only.
10. After use, turn off the appliance and unplug from the wall. Clean the heating plate and the product only after the product is cooled down

CAUTION:

- Always use protective, heat-resistant, gloves or mitts when handing this product to avoid steam or other burns.
- It is difficult to close the toaster if the filling is too much. Do not try to close the 2 in 1 Sandwich Maker by pressing it too hard. Instead, reduce the filling in your 2 in 1 Sandwich Maker or make sure that the bread slices are fully covered by the cooking plates and they do not exceed the periphery of the plates. Otherwise, you may cause damage to the appliance and to the non-stick coating of the plates as well.
- When you take the bread out of the 2 in 1 Sandwich Maker, do not use sharp instruments (like metal knife, fork etc.). You should always use a wooden spatula to prevent damage to the non-stick coating.



Care & Maintenance Of Your BOSS 2 in 1 Sandwich Maker

1. Disconnect the appliance from the mains outlet.
2. Let the appliance to completely cool down before you proceed.
3. Do Not immerse the Sandwich Griller/Toaster in water or clean the appliance in running water.
4. Wipe the exterior surface with a soft, dry cloth. Never use scouring pads.
5. If your Sandwich Griller/Toaster is used frequently, accumulated bread crumbs should be removed regularly. Make sure that any possible food leftovers or crumbs are completely removed before using the Sandwich Griller/Toaster again.
6. Never attempt to remove crumbs that have jammed in the plates without unplugging the Sandwich Griller/Toaster from the mains. Please take extra care to avoid possible damage to the non-stick coating of the plates when removing bread crumbs/slices.
7. Clean the interior non-stick surface with a soft damp cloth and then wipe it thoroughly with dry cloth.
8. This appliance requires little maintenance. It contains no user serviceable parts. Do not try to repair it yourself. Refer it to qualified personnel if servicing needed.

CAUTION: DO NOT IMMERSE IN WATER

AUTHORISED SERVICE CENTRE

For Gujarat, Maharashtra, West Bengal & Chhattisgarh : 9167681234

Other Cities

Ajmer	0145-2421785/2423650/ 9982347880	Hyderabad	9167681234
Bangalore	080 41249187 / 41138318	Indore	0731-2534689 / 4969975
Belgaum	9986224792	Jaipur	9167681234
Bhilwara	01482-224586 / 9414112586	Jodhpur	0291-2435266 / 9414129574
Bhopal	0755 - 4282097	Kota	0744 - 2390532 / 9460056594
Delhi	011-23847057 / 9811206109	Raipur	0771-2533284 / 9425510814
Gulbarga	9741734070 / 9480162059	Rudrapur	9837049123
Hubli	0836-2284897 / 9845277503	Sambalpur	0663-2400042 / 9338025787
Goa	9167681234	Udaipur	0294-2422075

Scan to Register Extended Warranty & Service Support



9309133642

